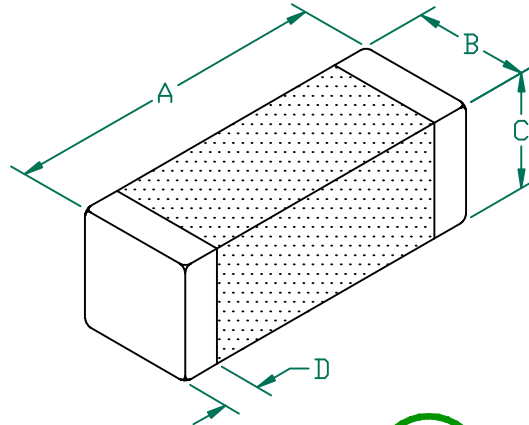


# HI1806N910R-10

**UNCONTROLLED DOCUMENT**

**PHYSICAL DIMENSIONS:**

A	4.50 [.177]	+ 0.25 [.010]
B	1.52 [.060]	+ 0.25 [.010]
C	1.60 [.063]	+ 0.25 [.010]
D	0.51 [.020]	+ 0.25 [.010]

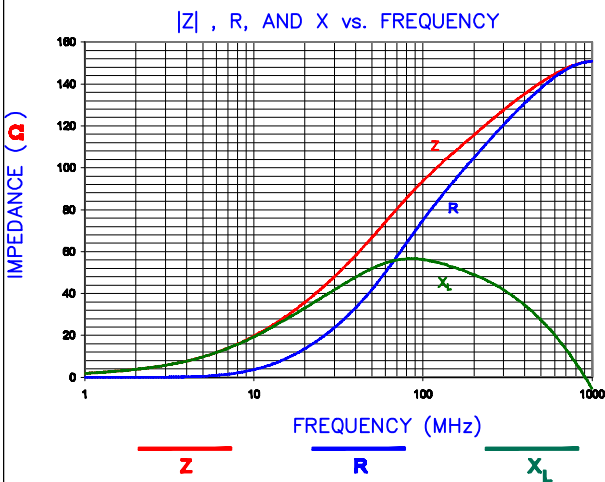
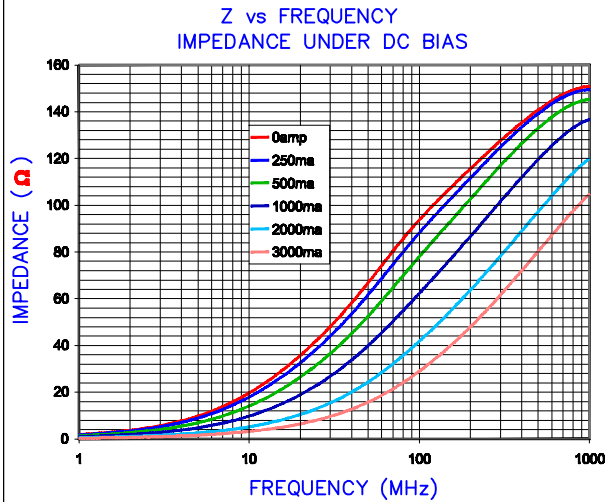


**ELECTRICAL CHARACTERISTICS:**

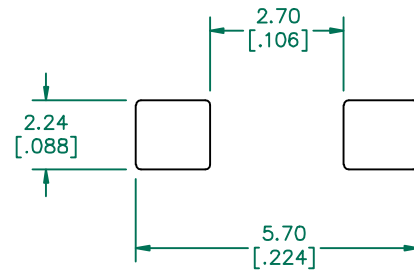
Z @ 100MHz ( $\Omega$ )	DCR ( $\Omega$ )	Rated Current
Nominal	91	
Minimum	68	
Maximum	114	0.030 3000 mA

NOTES: UNLESS OTHERWISE SPECIFIED

1. TAPED AND REELED per CURRENT EIA SPECIFICATIONS 7" REELS, 2,000 PCS/REEL.
2. COMPONENTS SHOULD BE ADEQUATELY PREHEATED BEFORE SOLDERING.
3. TERMINATION FINISH IS 100% TIN.

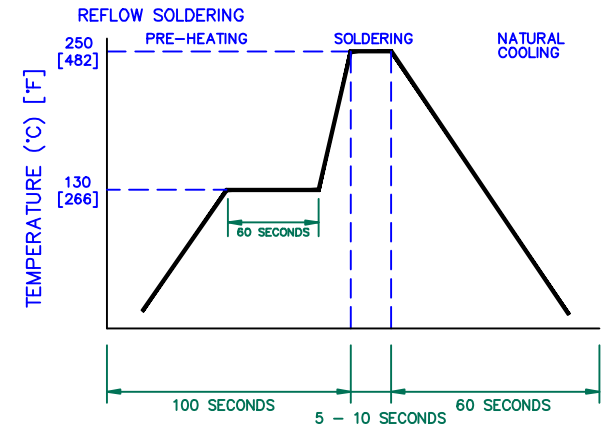


**LAND PATTERNS FOR REFLOW SOLDERING**



(For wave soldering, add 0.762 [.030] to this dimension.)

**RECOMMENDED SOLDERING CONDITIONS**



DIMENSIONS ARE IN mm [INCHES]				This print is the property of Laird Tech. and is loaned in confidence subject to return upon request and with the understanding that no copies shall be made without the written consent of Laird Tech. All rights to design or invention are reserved.			
C	CHG REEL QTY FROM 3K TO 2K UPDATE COMPANY LOGO	11/05/08	JRK	PROJECT/PART NUMBER: <b>HI1806N910R-10</b>	REV C	PART TYPE: CO-FIRE	DRAWN BY: JRK
B	UPDATE COMPANY LOGO ADD ROHS	01/18/08	JRK	DATE: 04/15/04	SCALE: NTS	SHEET: 2 of 2	
A	ORIGINAL DRAFT	04/15/04	JRK	GAD #	TOOL #		
REV	DESCRIPTION	DATE	INT	HI1806N910R-10-C			